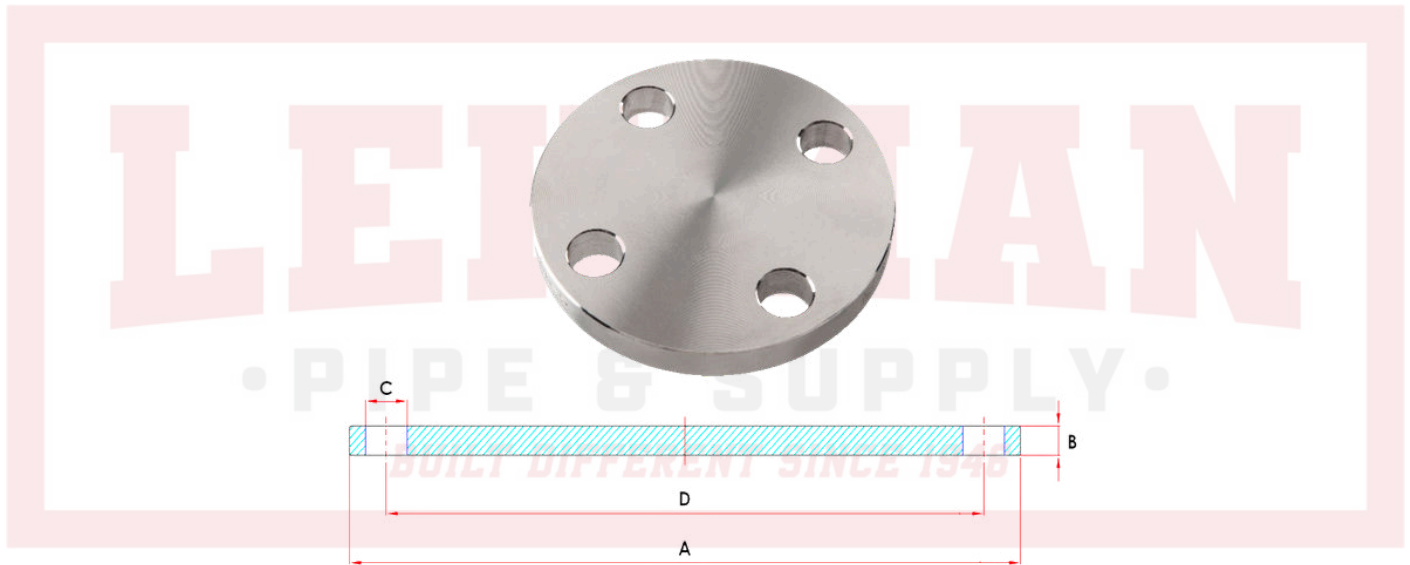
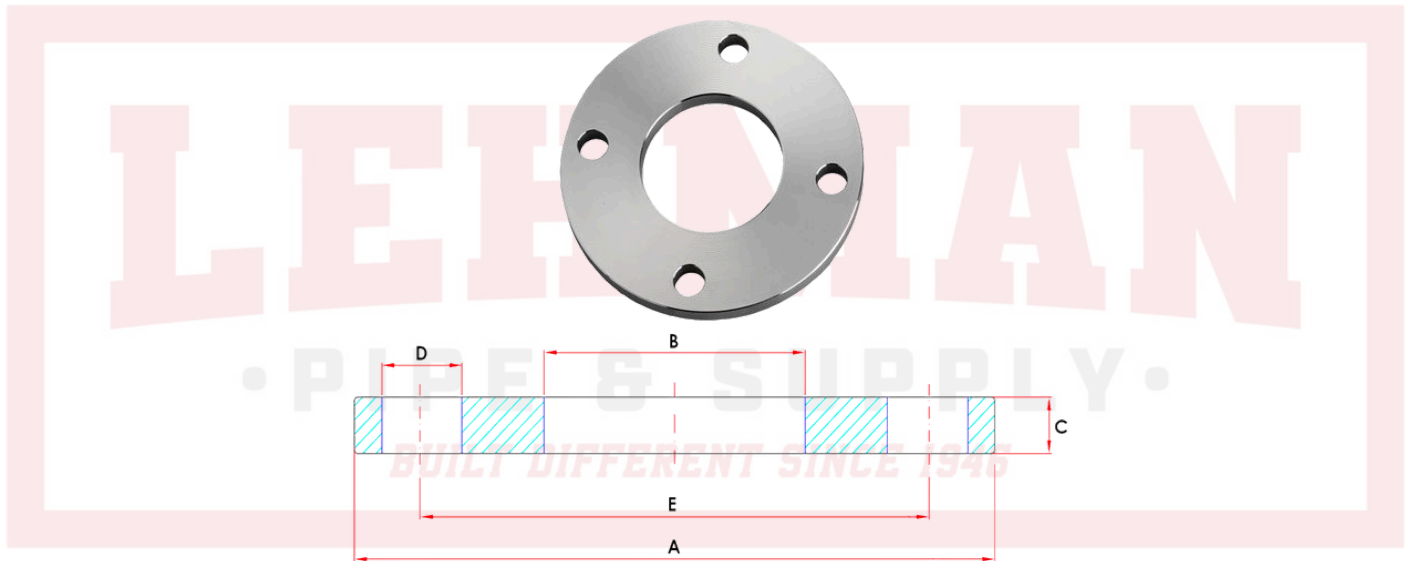


# BLIND PLATE FLANGE



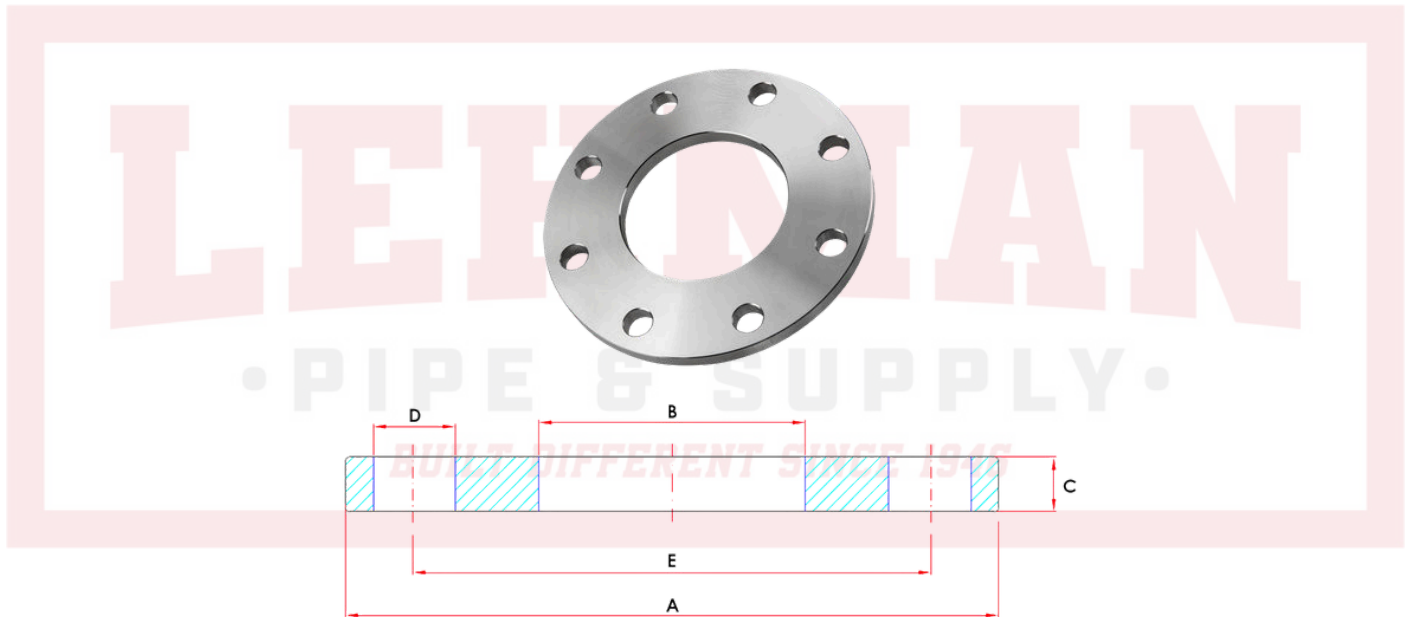
SIZE (IN)	A - OUTSIDE DIAMETER (IN)	B - THICKNESS (IN)	C - DIAMETER OF BOLT HOLES (IN)	D - BOLT CIRCLE (IN)	NUMBER OF BOLT HOLES	WEIGHT (LB)
1"	4.25	0.5	0.62	3.12	4	1.96
1-1/4"	4.62	0.5	0.62	3.5	4	2.36
1-1/2"	5	0.5	0.62	3.88	4	2.78
2"	6	0.5	0.75	4.75	4	4.01
2-1/2"	7	0.5	0.75	5.5	4	5.56
3"	7.5	0.5	0.75	6	4	6.39
4"	9	0.5	0.75	7.5	8	9.06
5"	10	0.5	0.88	8.5	8	11.13
6"	11	0.5	0.88	9.5	8	13.6
8"	13.5	0.5	0.88	11.75	8	20.81
10"	16	0.5	1	14.25	12	42.75
12"	19	0.5	1	17	12	61.29

# TUBE OD SLIP-ON PLATE FLANGE



SIZE (IN)	A - OUTSIDE DIAMETER (IN)	B - INSIDE DIAMETER (IN)	C - THICKNESS (IN)	D - DIAMETER OF BOLT HOLES	E - BOLT CIRCLE (IN)	NUMBER OF BOLT HOLES	WEIGHT (LB)
1"	4.25	1.063	0.5	0.62	3.12	4	1.74
1-1/4"	4.62	1.313	0.5	0.62	3.5	4	2.01
1-1/2"	5	1.563	0.5	0.62	3.88	4	2.34
2"	6	2.063	0.5	0.75	4.75	4	3.28
2-1/2"	7	2.563	0.5	0.75	5.5	4	4.52
3"	7.5	3.063	0.5	0.75	6	4	4.89
4"	9	4.063	0.5	0.75	7.5	8	6.59
5"	10	5.063	0.5	0.88	8.5	8	7.32
6"	11	6.063	0.5	0.88	9.5	8	8.27
8"	13.5	8.063	0.5	0.88	11.75	8	11.86
10"	16	10.063	0.5	1	14.25	12	18.39
12"	19	12.063	0.5	1	17	12	26.87

# IPS SLIP-ON SQUARE X SQUARE PLATE FLANGE



SIZE (IN)	A - OUTSIDE DIAMETER (IN)	B - INSIDE DIAMETER (IN)	C - THICKNESS (IN)	D - DIAMETER OF BOLT HOLES	E - BOLT CIRCLE (IN)	NUMBER OF BOLT HOLES	WEIGHT (LB)
1"	4.25	1.36	0.5	0.62	3.12	4	1.74
1-1/4"	4.62	1.7	0.5	0.62	3.5	4	2.01
1-1/2"	5	1.94	0.5	0.62	3.88	4	2.31
2"	6	2.44	0.5	0.75	4.75	4	3.28
2-1/2"	7	2.94	0.5	0.75	5.5	4	4.52
3"	7.5	3.57	0.5	0.75	6	4	4.89
4"	9	4.6	0.5	0.75	7.5	8	6.59
5"	10	5.66	0.5	0.88	8.5	8	7.32
6"	11	6.72	0.5	0.88	9.5	8	8.27
8"	13.5	8.72	0.5	0.88	11.75	8	11.86
10"	16	10.88	0.5	1	14.25	12	18.43
12"	19	12.88	0.5	1	17	12	26.87